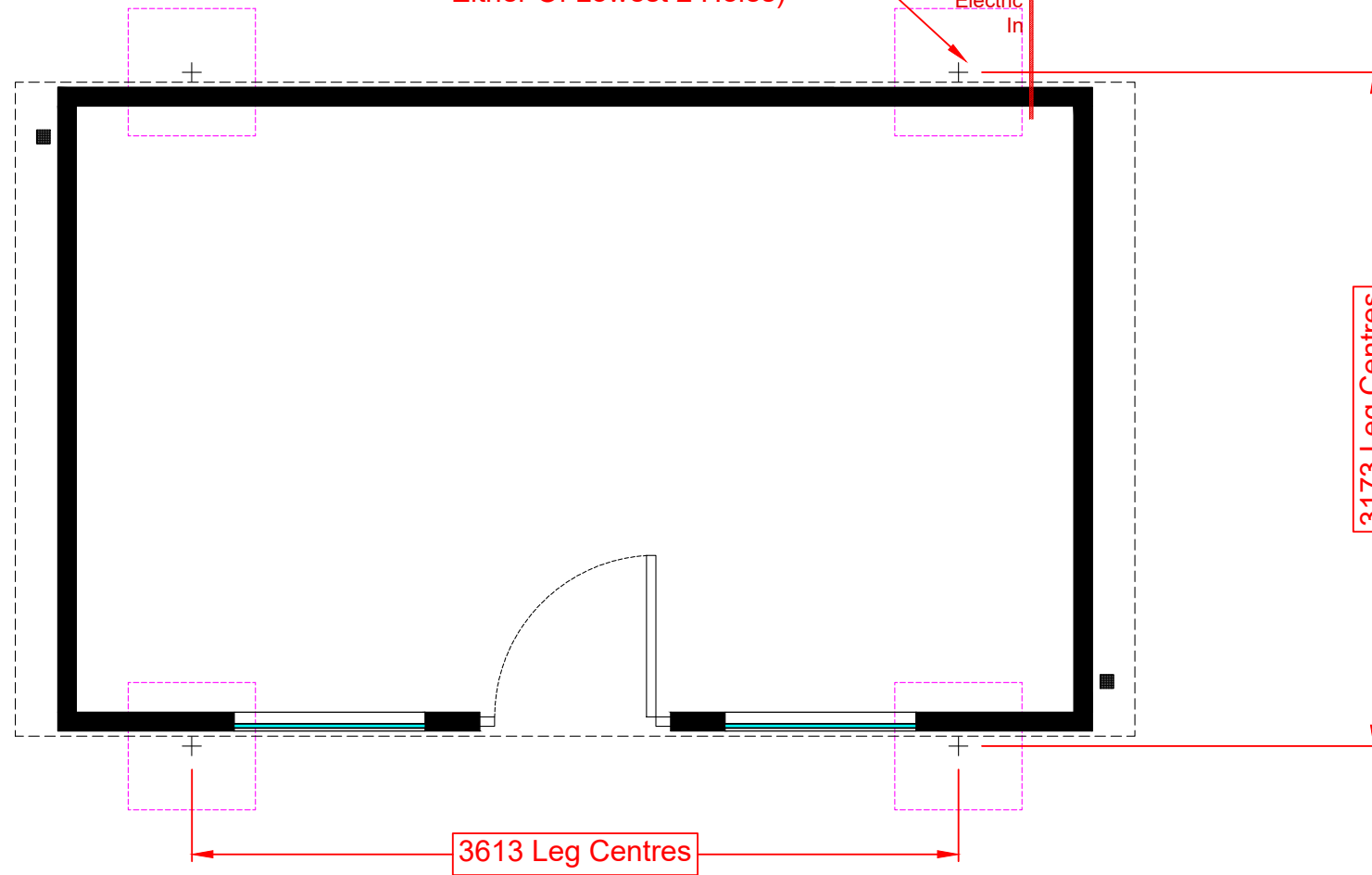


FLOOR COLOUR: Architex 3403 (Lake House Oak)	BODY COLOUR: Anthracite [RAL 7016]	TRIM COLOUR: Anthracite [RAL 7016]	FASCIA COLOUR: Anthracite [RAL 7016]	DOOR COLOUR: Anthracite [RAL 7016]	WINDOW COLOUR: Anthracite [RAL 7016]	JACKLEG COLOUR: Anthracite [RAL 7016]
---	---------------------------------------	---------------------------------------	---	---------------------------------------	---	--

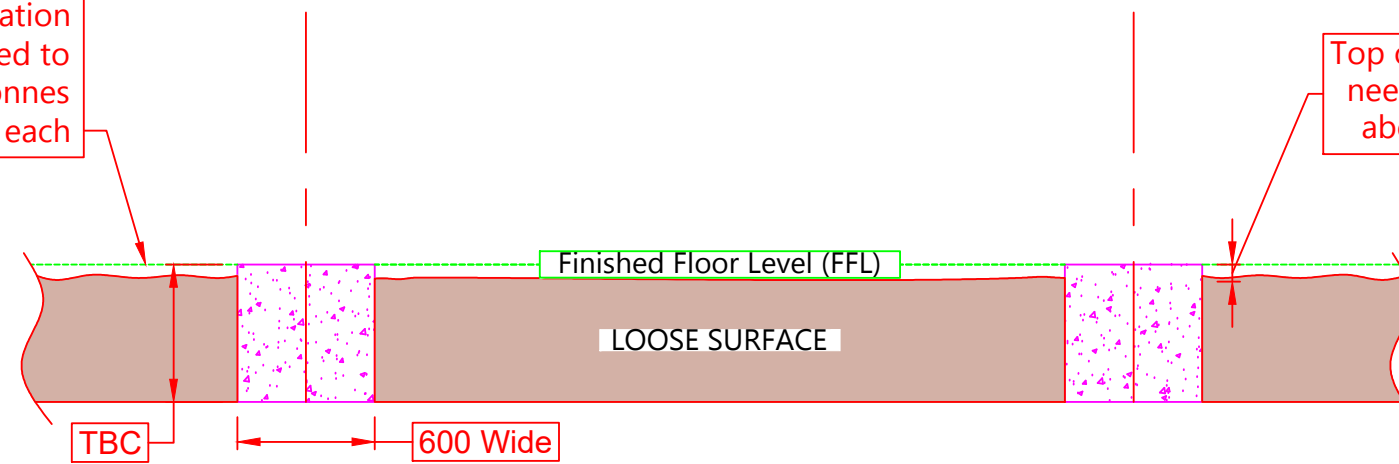
Jack Legs
(Jack Legs Must Be Set To
Either Of Lowest 2 Holes)

Electric
In

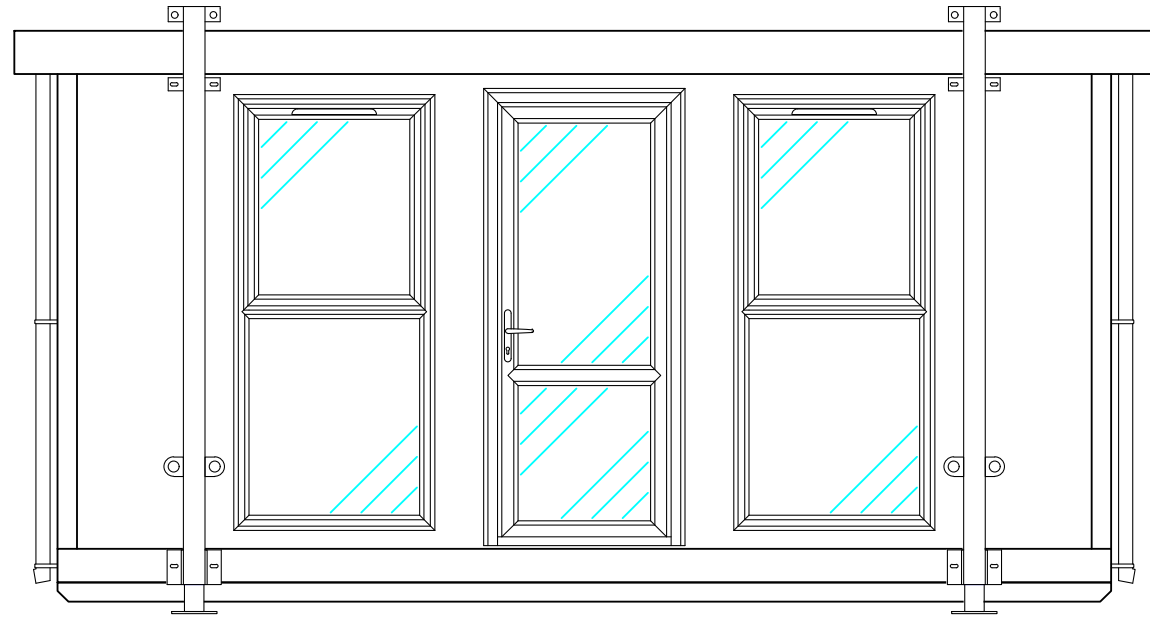


Concrete foundation
pads required to
support 2 tonnes
load on each

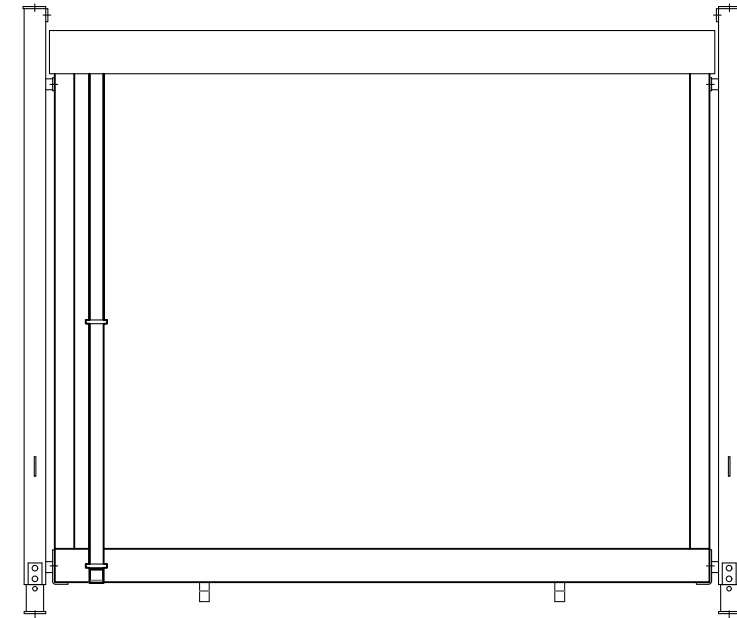
Top of foundation pads
need to be 50-75mm
above ground level



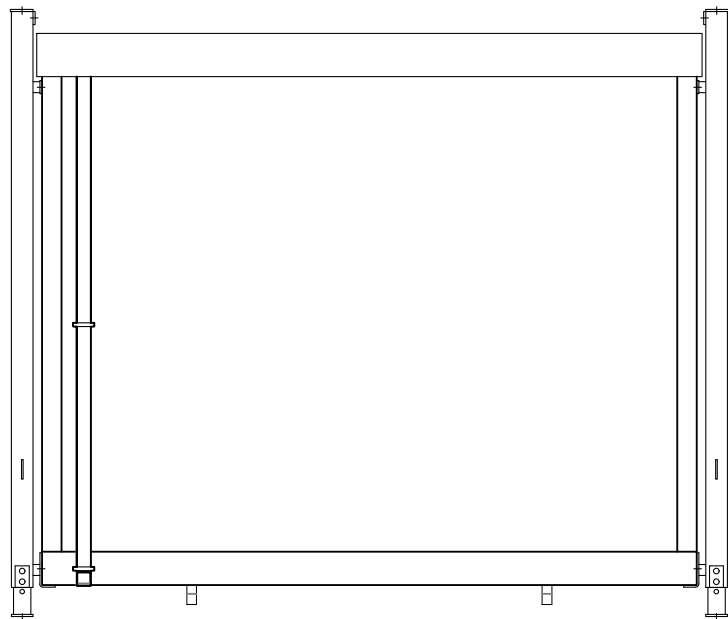
VIEW: **FRONT VIEW**



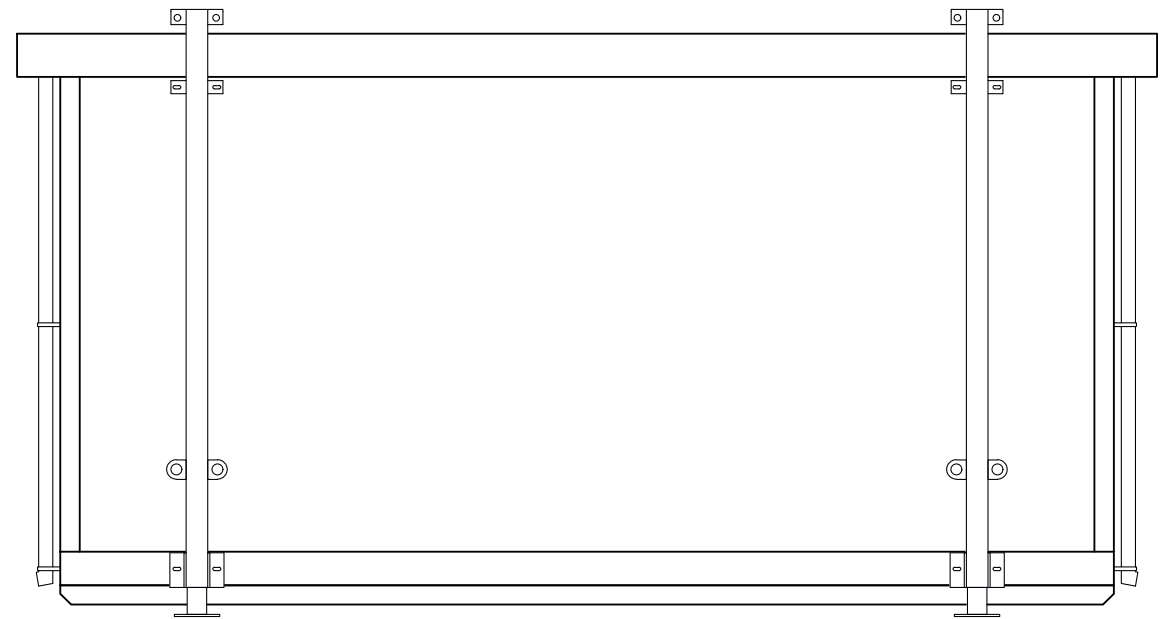
VIEW: **LEFT GABLE**



VIEW: **RIGHT GABLE**



VIEW: **REAR VIEW**





Symbol	Item	Count
	1500mm LED Light	2
	1Kw Panel Heater With Fused Spur	1
	2Kw Panel Heater With Fused Spur	1
	Consumer Unit	1
	Double Socket With USB	4
	Switch	1

